

36FOS and 52FOS Series

Multi-Cartridge Filter Housings



- Designed for industrial and commercial filtration needs
- Heavy-duty 304L or 316L stainless steel construction with Swing Bolt Closure and Lifting Davit for maximum durability
- Swing bolt closure for easy cartridge change-outs and secure sealing
- Holds thirty-six (36) or fifty-two (52) cartridges to service a wide range of higher flow rates
- Accepts standard double open-ended (DOE) style cartridges (222 and 226 style adapters are optional)
- Knife edge seals eliminate bypass on DOE cartridges
- Top spring seals allow for cartridge length variations
- Flange inlet and outlet connections allow for easy piping
Drain connections permit quick evacuation of housing
- Equipped with heavy-duty stainless steel mounting legs

Applications

Water	Desalination
Chemicals	Food & Beverage
Electronics	Oil / Gas
Power	Inks / Paints / Coatings
Coolants	Pulp & Paper

Specifications & Operating Parameters

Maximum Operating Pressure

150 psig (10.3 bar) @ 300°F (149°C)

Inlet and Outlet Connections

Inlet /Outlet: 6" RF Flange

Drain Ports: 3/4" FNPT

Vent Ports: 1/2" FNPT

Options: RF flanges, Sanitary ferrules, BSP, MNPT, FNPT and Grooved fittings

Materials of Construction

Head and Shell: 304L or 316L Stainless Steel

Connections: 304L or 316L Stainless Steel

Vent and Drain Plugs: 304L or 316L Stainless Steel

Mounting Legs: 304L Stainless Steel

Swing Bolts: Zinc Plated Steel

Gaskets

Buna N (FDA Grade)

Optional: EPR, Silicone, Viton or Teflon Encapsulated Silicone

Finish

Poly-coat on exterior surfaces

Optional: Electro-polish, Glass bead or Passivate

Cartridge Type

DOE style cartridges (maximum 2 5/8" diameter)

Optional: 222 and 226 adapters. For 2 3/4" diameter cartridges... order as 32FOS or 50FOS housings

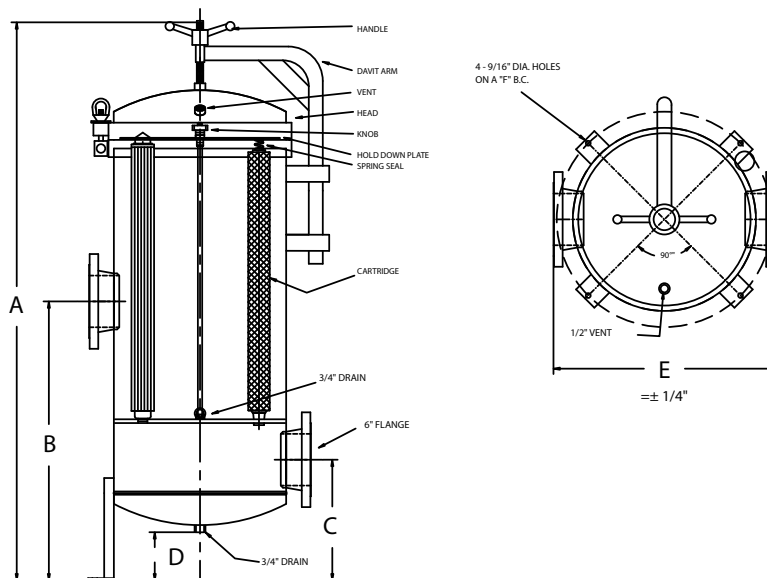
Custom Options

- Gauge Ports or Gauge Ports with Pressure Gauges
See Ordering Guide for complete selection of options

MODEL	QUANTITY (LENGTH) OF CARTRIDGES +	RATED FLOW CAPACITY* GPM(LPM)	INLET / OUTLET (PIPE SIZE)	MAXIMUM DIAMETER CARTRIDGE	A	B	C	D	E	F
36FOS3**	36 (30")	540 (2044)	6"	2 5/8" **	64 3/4" (164.5 cm)	32 3/8" (82.2 cm)	14" (35.6 cm)	5 9/16" (14.1 cm)	25 7/8" (65.7 cm)	25" (63.5 cm)
36FOS4**	36(40")	720 (2725)	6"	2 5/8" **	74 3/4" (189.9 cm)	32 3/8" (82.2 cm)	14" (35.6 cm)	5 9/16" (14.1 cm)	25 7/8" (65.7 cm)	25" (63.5 cm)
52FOS3	52 (30")	780 (2952)	6"	2 5/8" **	65 15/16" (167.5 cm)	32 3/8" (82.2 cm)	14" (35.6 cm)	5 9/16" (14.1 cm)	29 7/8" (75.9 cm)	29" (66.0 cm)
52FOS4	52 (40")	1040 (3937)	6"	2 5/8" **	75 15/16" (192.9 cm)	32 3/8" (82.2 cm)	14" (35.6 cm)	5 9/16" (14.1 cm)	29 7/8" (75.9 cm)	29" (66.0 cm)

- + Housings will accept cartridge lengths: 30" = (29 1/4" or 30") and 40" = (39" or 40")
- * Based upon 7 gpm per 10" length with a 25 micron wound cartridge at 2 PSID clean and viscosity of 1 cps. Flow rates are for guidelines only.
- ** Actual flow rates are based on fluid, viscosity, cartridge type, micron ratings and other factors.
- ** When using 222 or 226 connectors with 2 3/4" OD filter cartridges in a 36FOS housing, you must change to a 32FOS housing (32 round).
- ** When using 222 or 226 connectors with 2 3/4" OD filter cartridges in a 52FOS housing, you must change to a 50FOS housing (50 round).

Dimensions



Ordering Guide (Example: 36FOS3SB-316-222-6F-GP-B)

36FOS	3	SB	-	316	-	222	-	6	F	-	GP	-	B
MODEL	LENGTH OF CARTRIDGES	CLOSURE STYLE	MATERIAL	CARTRIDGE CONFIGURATION	CONNECTION SIZE	CONNECTION TYPE	OPTIONS	GASKET					
36FOS 52FOS	3 = 3 High 4 = 4 High	SB = Swing Bolt	304 = 304L 316 = 316L	Blank = DOE Style Cartridges (Standard) 222 = 222 Fin/Flat Style Cartridges 226 = 226 Fin/Flat Style Cartridges	6 = 6" (Standard) 8 = 8**	F = Flange (Standard) TC = Ferrules GF = Grooved Fittings	GP = Gauge Ports GPA = Gauge ports with Gauges EP = Electro-Polish GB = Glass Bead P = Passivate	B = Buna N (Standard) E = EPR S = Silicone V = Viton TS = Teflon Encapsulated Silicone					

* Available in RF Flanges and Grooved Fittings

Customization

Housings may be customized to meet your precise requirements. Contact Shelco's technical support staff or your distributor for more information.

Myynti:
 Aquator Oy
 info@aquator.fi www.aquator.fi
 puh. 044 788 1620
 puh. 044 388 1620

AQUATOR
 process filters