

# BFS Series

Multi-Bag Housings – Two through Six Round



- Designed for high flow industrial and commercial filter applications
- 304L or 316L Stainless Steel Construction for maximum durability
- 2BFS housings with Clamp Closure
  - Recognized market leader offering exceptional value
  - Clamp closure offers quick and easy bag change-outs
  - 150 PSI pressure rating up to 250°F
  - 3" Flanged Connections
- 2BFS through 6BFS with Swing Bolt Closure
  - Heavy Duty Swing Bolt Closure and Davit Assembly are ideal for larger flow applications
  - Low profile for easy bag change-outs
  - 150 PSI pressure rating up to 300°F
  - Eye nuts and davit handle are zinc plated to prevent gauling
- Optional 134 epoxy coating for seawater or corrosive applications

## Applications

Water	Chemicals
Food & Beverage	Electronics
Oil	Inks / Paints / Coatings
Coolants	Pulp & Paper

## Specifications & Operating Parameters

### Maximum Operating Pressure

150 psig (10.3 bar) @ 250°F (121°C) – Clamp closure  
150 psig (10.3 bar) @ 300°F (149°C) – Swing bolt closure

### Connections

Inlet /Outlet:

- 3" RF Flanges (2BFS)
- 4" RF Flanges (3BFS, 4BFS)
- 6" RF Flanges (5BFS and 6BFS)

*Optional: RF Flanges or Sanitary Ferrules*

Drain Port:

- 1/2" FNPT (2BFS-2C)
- 3/4" FNPT (2BFS-2SB - 6BFS-2SB)

Vent Port: 1/2" FNPT

Gauge Ports: 1/4" FNPT

### Materials of Construction

Head / Shell: 304L or 316L Stainless Steel  
Eye Nuts and Davit Handle: Zinc Plated Steel  
Mounting Legs: 304L Stainless Steel

### Gaskets

Buna N

*Optional: EPR, Silicone, Teflon Encapsulated Silicone, Viton*

### Baskets

1/8" perforated Stainless Steel

*Optional: Various perforation and mesh sizes*

### Finish

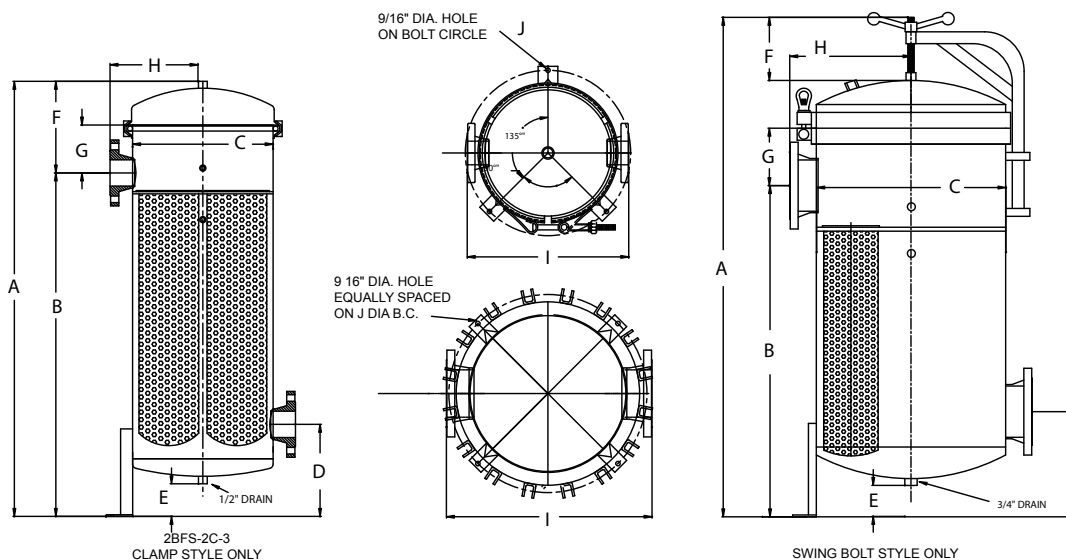
Poly-coat on exterior surfaces

*Optional: 134 coating or electro-polish*

MODEL	CLOSURE	FLOW RATE* GPM (LPM)	DIMENSIONS									
			A	B	C	D	E	F	G	H	I	J
2BFS-2C	Clamp	350 (1325)	49 9/16" (125.9)	39 1/8" (99.4)	16" (40.6)	10 1/2" (26.7)	4 1/8" (10.5)	11 5/8" (29.5)	13 5/8" (34.6)	10 9/16" (26.8)	20 1/2" (52.1)	20 15/16" (53.2)
2BFS-2SB	Swing Bolt	350 (1325)	49 9/16" (125.9)	39 1/8" (99.4)	16" (40.6)	10 1/2" (26.7)	3 11/16" (9.4)	10" (25.4)	6 7/8" (17.5)	10 9/16" (26.8)	20 1/2" (52.1)	20 15/16" (53.2)
3BFS-2SB	Swing Bolt	525 (1987)	52 7/8" (134.3)	41 1/16" (104.3)	20" (50.8)	10 3/4" (27.2)	3 1/4" (8.3)	10" (25.4)	6 1/4" (15.9)	12 5/16" (31.3)	22 5/8" (57.5)	25" (63.5)
4BFS-2SB	Swing Bolt	700 (2650)	61 1/4" (155.6)	40 1/2" (102.9)	20" (50.8)	11 1/4" (28.6)	3 1/4" (8.3)	10" (25.4)	8" (20.3)	12 7/8" (32.7)	26 1/16" (66.2)	25" (63.5)
5BFS-2SB	Swing Bolt	700 (3312)	63 1/2" (161.3)	42" (106.7)	24" (61.0)	13 3/8" (34.0)	4" (10.2)	10" (25.4)	7 1/4" (18.4)	15 3/8" (39.0)	30" (76.2)	29" (73.7)
6BFS-2SB	Swing Bolt	1050 (3975)	63 1/2" (161.3)	42" (106.7)	24" (61.0)	13 3/8" (34.0)	4" (10.2)	10" (25.4)	7 1/4" (18.4)	15 3/8" (39.0)	30" (76.2)	29" (73.7)

\* Flow rates are for guide lines only. Actual flow rates are based upon fluid viscosity, bag type, micron rating and other factors.

## Dimensions



## Ordering Guide (Example: 2BFS-2SB-3-316B)

2BFS	2	SB	3	316	B
MODEL	BAG SIZE	CLOSURE STYLE	FLANGE**	MATERIAL	GASKET
2BFS 3BFS 4BFS 5BFS 6BFS	2	C = Clamp* SB = Swing Bolt	3 = 3" 4 = 4" 6 = 6"	304 = 304L SS 316 = 316L SS 134 = 134 Coating over 304L SS+	B = Buna N (Standard) E = EPDM S = Silicone V = Viton T = Teflon Encapsulated Silicone

\* Clamp Closure only available in for 2BFS-2C housing

+ 134 Coating must have swing bolt closure and flanged connections

\*\* Standard flange sizes are 3" for 2BFS, 4" for 3BFS and 4BFS, 6" for 5BFS and 6BFS

## Customization

Housings may be customized to meet your precise requirements. Contact Shelco's technical support staff or your distributor for more information.

Myynti:  
 Aquator Oy  
 info@aquator.fi    www.aquator.fi  
 puh. 044 788 1620  
 puh. 044 388 1620

# AQUATOR

process filters