



**Pump specifications:**

Type.....BA-C200H42 D557  
 Max. flow .....900 m<sup>3</sup>/hour max (3960 US GPM)  
 Max. pressure.....200 mwc (660 ft.)  
 Connections.....Discharge DN150 – Suction DN250  
 Solids handling .....51 mm (2")  
 Impeller type .....Closed impeller  
 Priming system .....BBA MP100  
 Engine .....Caterpillar C27 ACERT™  
 Emission standard..Stage II / Tier 2  
 Frame .....BF20-45  
 Dry weight.....Approx. 5000 kg (11000 lbs)

**FEATURES**

**Bolt-on pump packages**

To cater to the market niche where there is no need for a complete skid and/or canopy, we have developed the BA sub-frame assembly. These units feature the BA or BA-C pump of your choice coupled to a diesel engine, including the control panel, and mounted on a high quality, galvanised sub-frame. The frames can be customised with lifting bales, protection bars etc. should these be required.

**World-class performance**

The BA/BA-C sub-frame units are designed to be used in mining, shipping, fire-fighting or as stand-by units. As the units can be bolted onto any object or structure, they offer true bolt-on pumping power. End-users only need to connect a fuel tank and the unit is operational. Using high efficiency pumps and state-of-the-art diesel engines, the units offer maximum performance at minimal cost, fully in-sync with the company philosophy of “Lowest cost of ownership”.

**Fields of application**

- Mining
- Offshore
- Maritime
- Oil & Gas
- Fire Fighting
- Dredging

**Complete package designed & built by BBA Pumps**

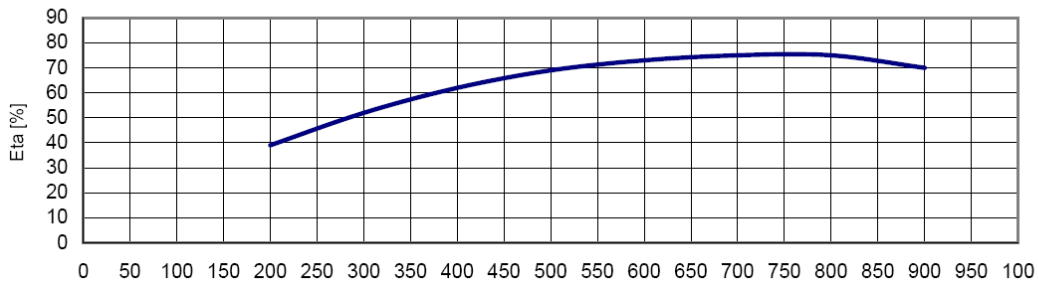
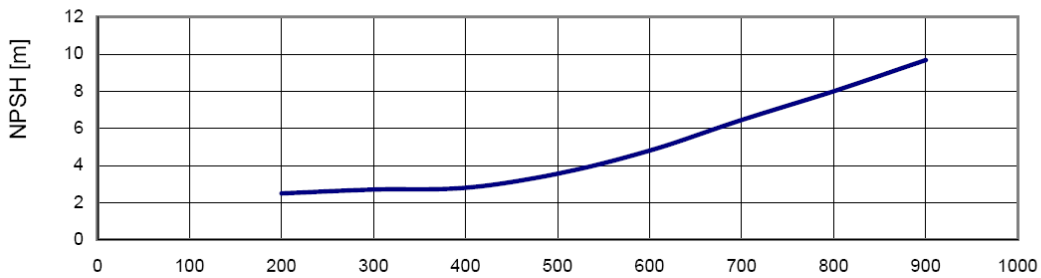
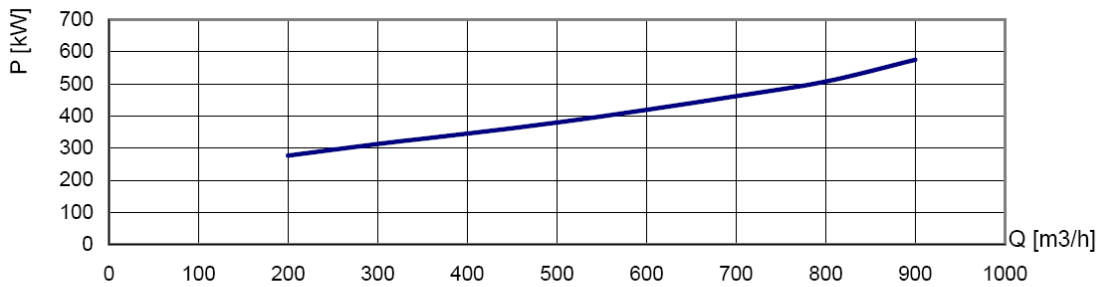
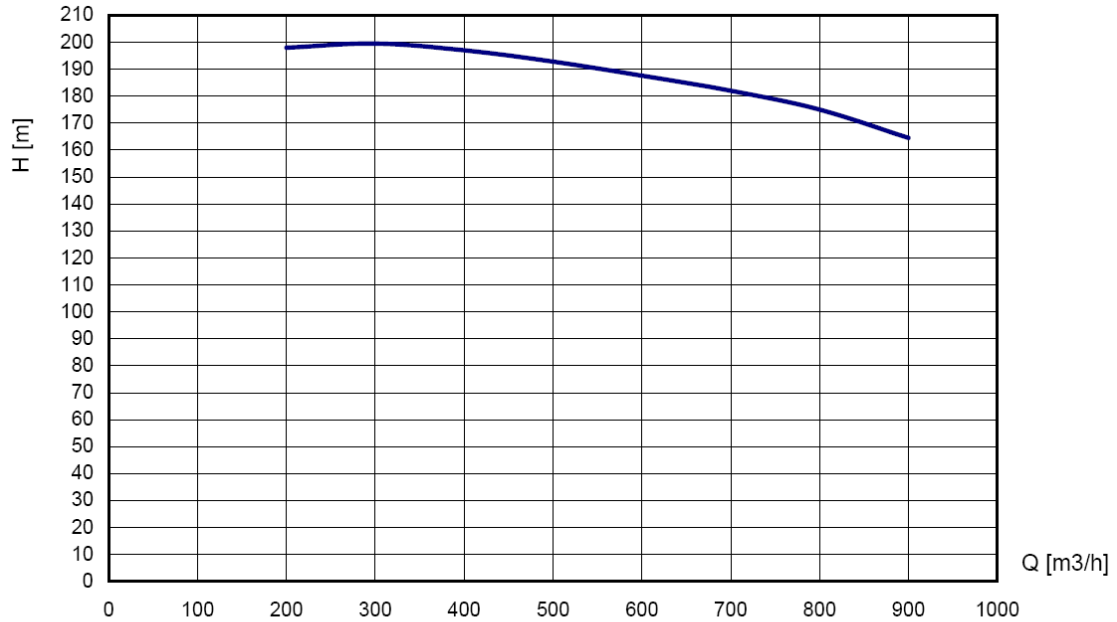
- Complete in-house design & production
- Over 60 years of experience in the market
- Complete testing facility in-house
- Contemporary & functional design
- Durable & eco-friendly materials
- Custom builds available

**After sales service & product support**

- Single supplier for parts, spares & accessories
- Dedicated customer help-desk (24h service)
- Dedicated service department in-house
- Global parts distribution network
- Optional global on-site servicing available
- Extensive training options available (technical & commercial), on-site or in-house

**PERFORMANCE CURVES (1900 RPM)**

Continuous duty according ISO 9906



**STANDARD TECHNICAL SPECIFICATIONS**

**BBA auto prime pump**

Pump type.....	BA-C200H42 D557
Max. flow.....	900 m <sup>3</sup> /hour (3960 US GPM)
Max. head.....	200 mwc (660 feet)
Impeller type.....	Closed impeller
Solids handling.....	51 mm (2 inch)
Pump casing.....	Ductile iron GGG70
Impeller.....	Stainless steel CA-6NM
Wear ring.....	Cast iron GG20
Pump shaft.....	17-4Ph
Shaft seal.....	Cycloseal®
Seal faces.....	Tungsten/Sic
Additional.....	(DVS) Double Volute System



**BBA priming system**

Pump type.....	BBA MP100 Diaphragm pump
Air handling capacity.....	100 m <sup>3</sup> /h (58 CFM)
Max. vacuum.....	8.5 m (29 inHg)
Drive.....	24V motor
Start/stop.....	Fully automatic
Float box.....	Aluminium
Float.....	Stainless steel 304
Non return valve.....	Not included



**Engine**

Engine brand.....	Caterpillar
Engine type.....	C27 ACERT™
Rating.....	B rating
Engine power.....	635 bkW (863 bHp)
Max. engine speed.....	1900 RPM
Fuel consumption.....	200 g/kWh
Displacement.....	27.1 L
Number of cylinders.....	V12
Cooling system.....	Water cooled
Emission level.....	Stage II – Tier 2



**BBA control panel LC30**

- Auto start/stop system
- Two float switches included (10 m cable)
- Switch Manual-0-Auto
- RAMP-UP/DOWN function
- Rpm. control with push buttons
- Warning lights
- 4.3" LCD monitor

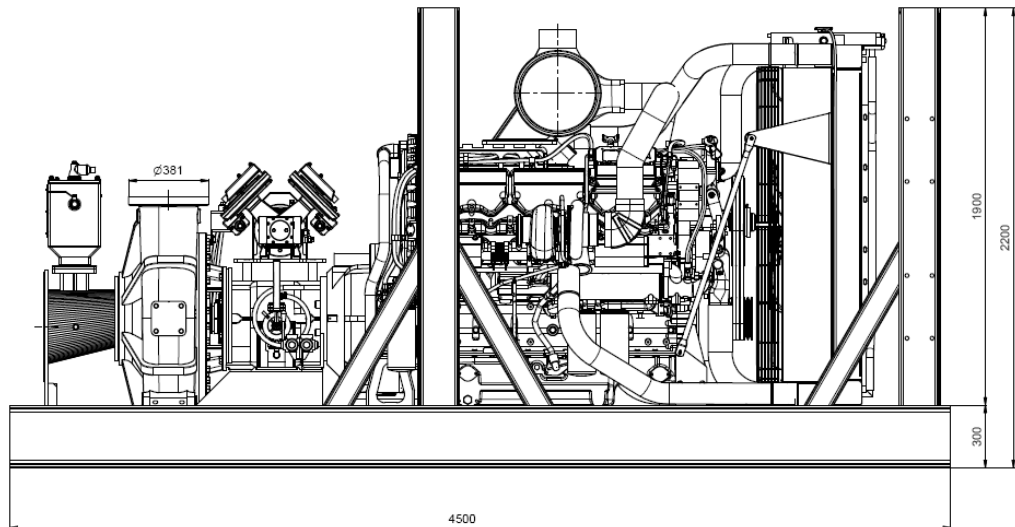
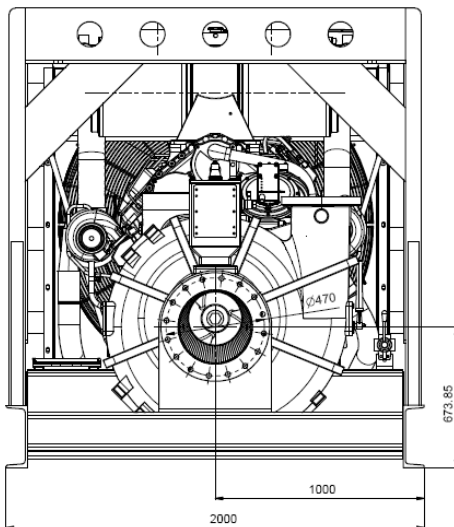
The LCD monitor displays additional engine data, e.g. actual engine speed, working hours, battery voltage, fuel consumption and failures in clear text (10 language support)



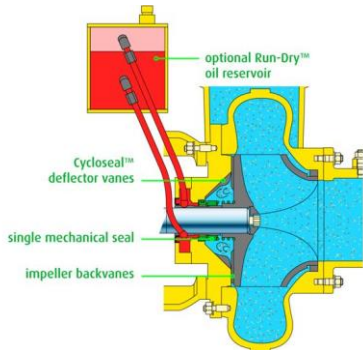
**FRAME**

**BBA open diesel**

Frame type.....	BF20-45
Dimensions L x W x H .....	4500 x 2000 x 2200 mm
Dimensions L x W x H .....	177 x 78 x 87 inch
Basic frame .....	Hot dip galvanised
Fuel tank .....	N/A
Forklift pockets.....	Fitted with 2 forklift pockets
Lifting point .....	Fitted with lifting points
Batteries.....	Genuine Caterpillar
Exhaust system .....	Exhausts are mounted on the engine
Radiator .....	Genuine Caterpillar
Documentation box.....	Applicable



Actual dimensions (in mm & inches) may vary depending on selected quick couplings.



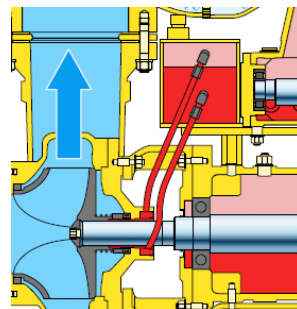
**Cycloseal®**  
Cycloseal® design, with its unique deflector vanes, works with the impeller backvanes to create a cyclo-action. This action removes solids and abrasive material from the seal area.



**Double vacuum pump**  
Diaphragm pump, air-cooled, water-resistant and oil-spillage free. Air capacity of 100 m<sup>3</sup> per hour.



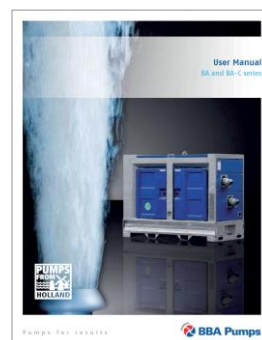
**Interchangeable parts**  
Modular construction to ensure minimal spare part stock levels.



**Run-dry option**  
All of the pumps in the BA series are designed to run dry for longer periods. The mechanical seal is cooled by an external oil circulation system.



**Factory Acceptance Test**  
Extensive testing facility in-house. FAT must be conducted formally and be witnessed by the owner and/or project manager.



**User Manual BA and BA-C**  
Extensive user manual with important information concerning the pump unit, pump installation and safety warnings. Available in several languages.

Myynti: Aquator Oy  
puh. 044 788 1620  
puh. 044 088 1620  
info@aquator.fi

**AQUATOR**  
water technologies

Pictures used are for illustration purposes only.