



Pump specifications:

Type.....BA-C250H45 D610
 Max. flow 1500 m³/hour max (6600 US GPM)
 Max. pressure..... 180 mwc (594 ft.)
 Connections..... Discharge DN200 – Suction DN400
 Solids handling 60 mm (2.38")
 Impeller type Closed impeller
 Priming system BBA MP100
 Engine Caterpillar C32 ACERT™
 Emission standard .. Stage II / Tier 2
 Frame BF20-45
 Dry weight..... Approx. 6500 kg (14430 lbs)

FEATURES

Bolt-on pump packages

To cater to the market niche where there is no need for a complete skid and/or canopy, we have developed the BA sub-frame assembly. These units feature the BA or BA-C pump of your choice coupled to a diesel engine, including the control panel, and mounted on a high quality, galvanised sub-frame. The frames can be customised with lifting bales, protection bars etc. should these be required.

World-class performance

The BA/BA-C sub-frame units are designed to be used in mining, shipping, fire-fighting or as stand-by units. As the units can be bolted onto any object or structure, they offer true bolt-on pumping power. End-users only need to connect a fuel tank and the unit is operational. Using high efficiency pumps and state-of-the-art diesel engines, the units offer maximum performance at minimal cost, fully in-sync with the company philosophy of “Lowest cost of ownership”.

Fields of application

- Mining
- Offshore
- Maritime
- Oil & Gas
- Fire Fighting
- Dredging

Complete package designed & built by BBA Pumps

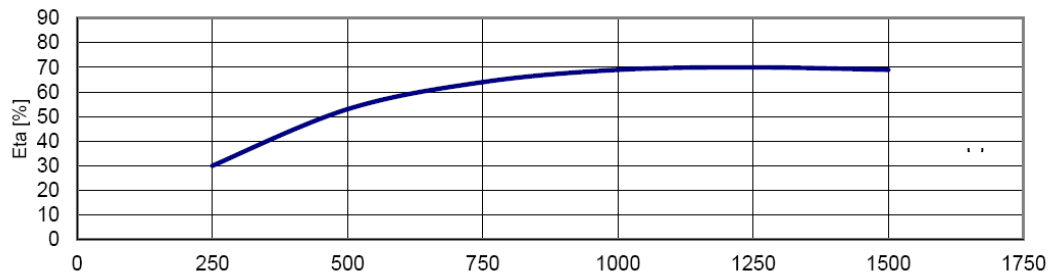
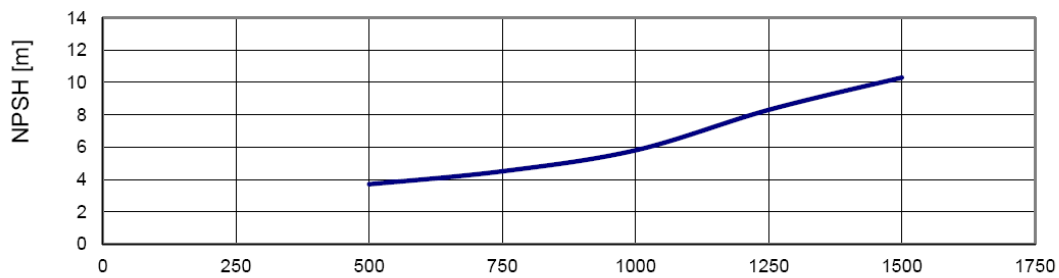
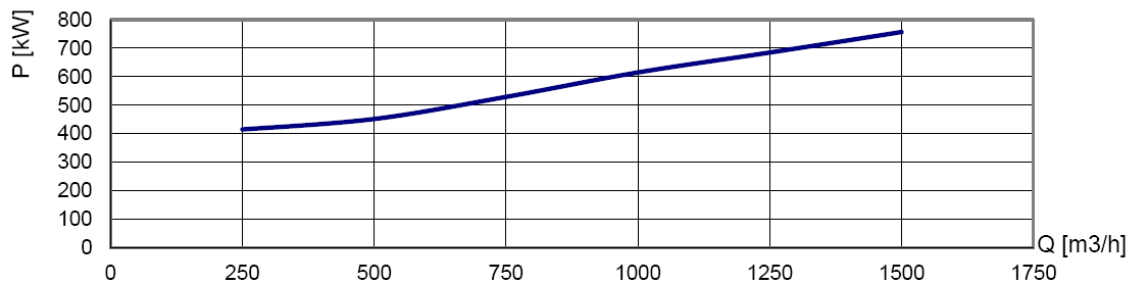
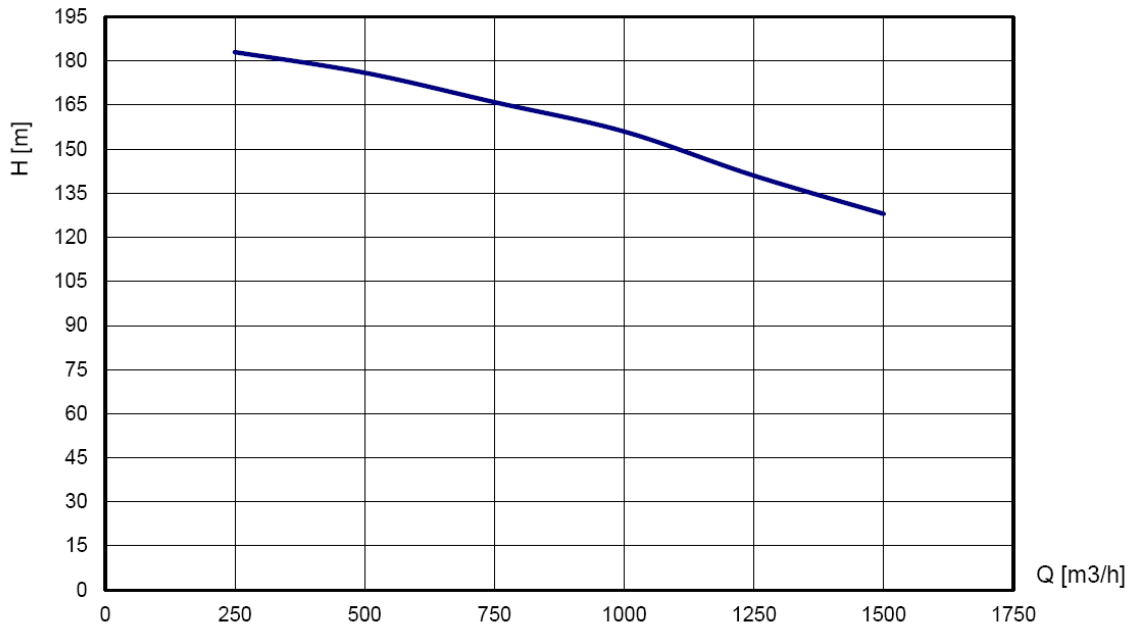
- Complete in-house design & production
- Over 60 years of experience in the market
- Complete testing facility in-house
- Contemporary & functional design
- Durable & eco-friendly materials
- Custom builds available

After sales service & product support

- Single supplier for parts, spares & accessories
- Dedicated customer help-desk (24h service)
- Dedicated service department in-house
- Global parts distribution network
- Optional global on-site servicing available
- Extensive training options available (technical & commercial), on-site or in-house

PERFORMANCE CURVES (1770 RPM)

Continuous duty according ISO 9906



STANDARD TECHNICAL SPECIFICATIONS

BBA auto prime pump

Pump type.....	BA-C250H45 D610
Max. flow.....	1500 m ³ /hour (6600 US GPM)
Max. head.....	180 mwc (594 feet)
Impeller type.....	Closed impeller
Solids handling.....	60 mm (2.36 inch)
Pump casing.....	Ductile iron GGG70
Impeller.....	Stainless steel CA-6NM
Wear rings.....	Stainless steel 420, heat treated
Pump shaft.....	17-4Ph
Shaft seal.....	Cycloseal®
Seal faces.....	Tungsten/Sic
Additional.....	(DVS) Double Volute System



BBA priming system

Pump type.....	BBA MP100 Diaphragm pump
Air handling capacity.....	100 m ³ /h (58 CFM)
Max. vacuum.....	8.5 m (29 inHg)
Drive.....	24V motor
Start/stop.....	Fully automatic
Float box.....	Aluminium
Float.....	Stainless steel 304
Non return valve.....	Not included



Engine

Engine brand.....	Caterpillar
Engine type.....	C32 ACERT™
Rating.....	B rating
Engine power.....	709 bkW (974 bHp)
Max. engine speed.....	1800 RPM
Fuel consumption.....	205 g/kWh
Displacement.....	32.1 L
Number of cylinders.....	V12
Cooling system.....	Water cooled
Exhaust emissions.....	Stage II – Tier 2



BBA control panel LC30

- Auto start/stop system
- Two float switches included (10 m cable)
- Switch Manual-0-Auto
- RAMP-UP/DOWN function
- Rpm. control with push buttons
- Warning lights
- 4.3" LCD monitor

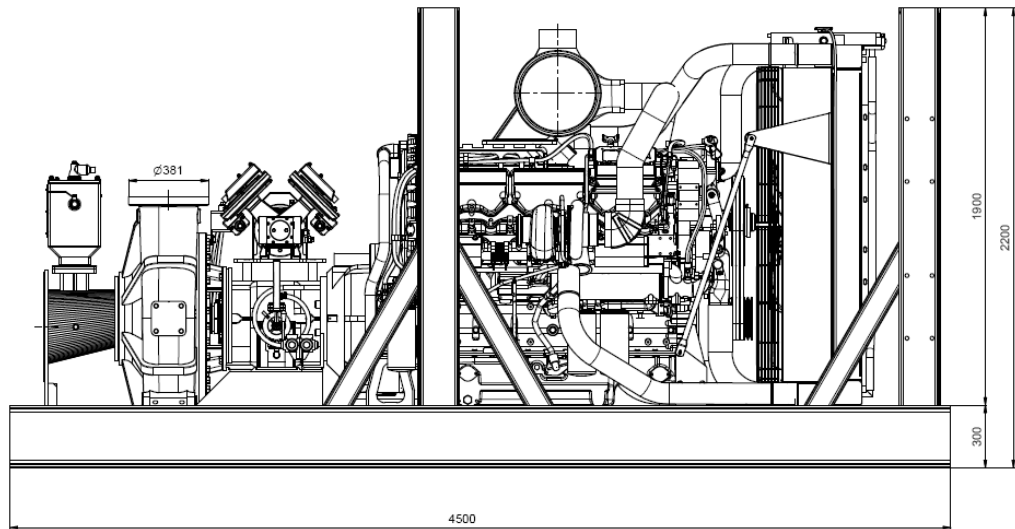
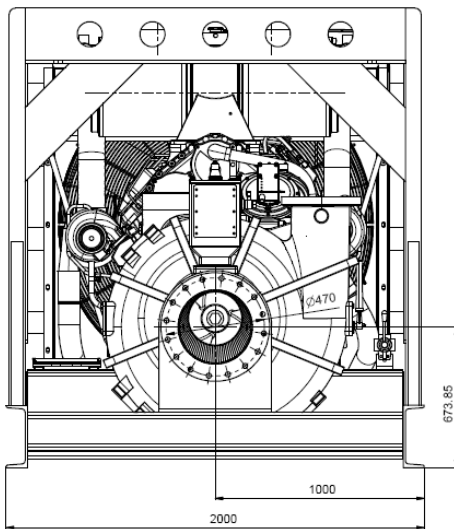
The LCD monitor displays additional engine data, e.g. actual engine speed, working hours, battery voltage, fuel consumption and failures in clear text (10 language support)



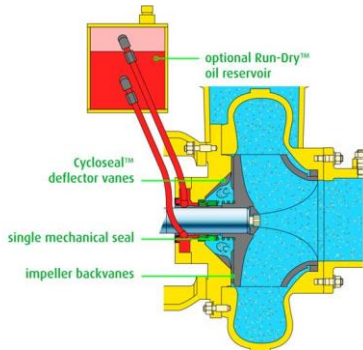
FRAME

BBA open diesel

Frame type.....	BF20-45
Dimensions L x W x H	4500 x 2000 x 2200 mm
Dimensions L x W x H	177 x 78 x 87 inch
Basic frame	Hot dip galvanized
Fuel tank	N/A
Forklift pockets.....	Fitted with 2 forklift pockets
Lifting point	Fitted with lifting points
Batteries.....	Genuine Caterpillar
Exhaust system	Exhausts are mounted on the engine
Radiator	Genuine Caterpillar
Documentation box.....	Applicable



Actual dimensions (in mm & inches) may vary depending on selected quick couplings.



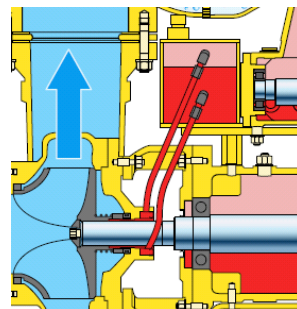
Cycloseal®
Cycloseal® design, with its unique deflector vanes, works with the impeller backvanes to create a cyclo-action. This action removes solids and abrasive material from the seal area.



Double vacuum pump
Diaphragm pump, air-cooled, water-resistant and oil-spillage free. Air capacity of 100 m³ per hour.



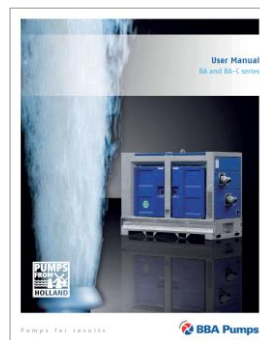
Interchangeable parts
Modular construction to ensure minimal spare part stock levels.



Run-dry option
All of the pumps in the BA series are designed to run dry for longer periods. The mechanical seal is cooled by an external oil circulation system.



Factory Acceptance Test
Extensive testing facility in-house. FAT must be conducted formally and be witnessed by the owner and/or project manager.



User Manual BA and BA-C
Extensive user manual with important information concerning the pump unit, pump installation and safety warnings. Available in several languages.

Myynti: Aquator Oy
puh. 044 788 1620
puh. 044 088 1620
info@aquator.fi

AQUATOR
water technologies

Pictures used are for illustration purposes only.