



Pump specifications:

Type.....	BA180E D328
Max. flow	780 m ³ /hour (3430 US GPM)
Max. pressure	50 mwc (165 ft.)
Connections.....	DN200 (8")
Solids handling	80 mm (3,15")
Impeller type	Semi-open impeller
Priming system	BBA MP50
Engine	Perkins 1104D-44TA
Emission standard	Stage IIIA
Basic frame.....	BS12-23
Dry weight.....	Approx. 1750 kg (3850 lbs)

FEATURES

BA auto prime pump

The BA range of pumps has been designed with a clear focus on reliability, efficiency and durability. Featuring a 100% mechanical priming system, the BA series pumps quickly prime and re-prime, even from dry conditions. The heavy build style of both pump and canopy make the BA range perfect for use in the strenuous contractor market.

World-class performance

The BA range is built to be deployed on the most demanding dewatering and sewage bypassing applications. Using high efficiency pumps and state-of-the-art diesel engines, the pumps offer maximum performance at minimal cost, fully in-sync with the company philosophy of "Lowest cost of ownership".

Sustainability

- High efficiency pumps minimising fuel consumption
- Corrosion free hot dip galvanized frame
- 100% Oil-spill free priming system

Complete package designed & built by BBA Pumps

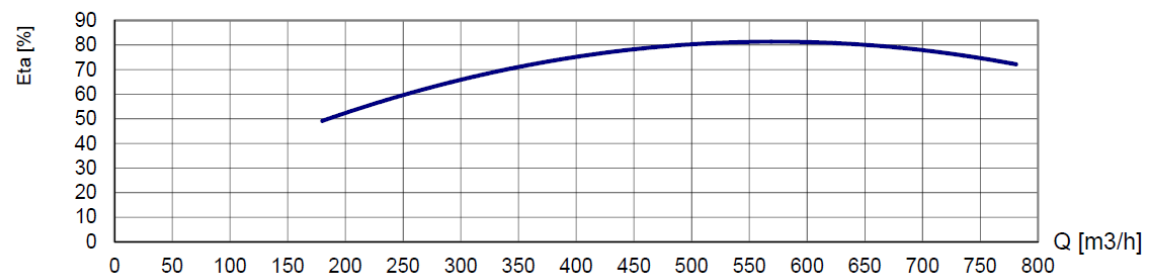
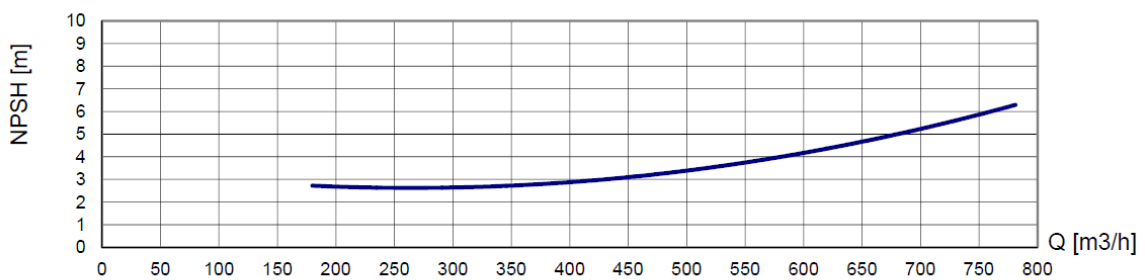
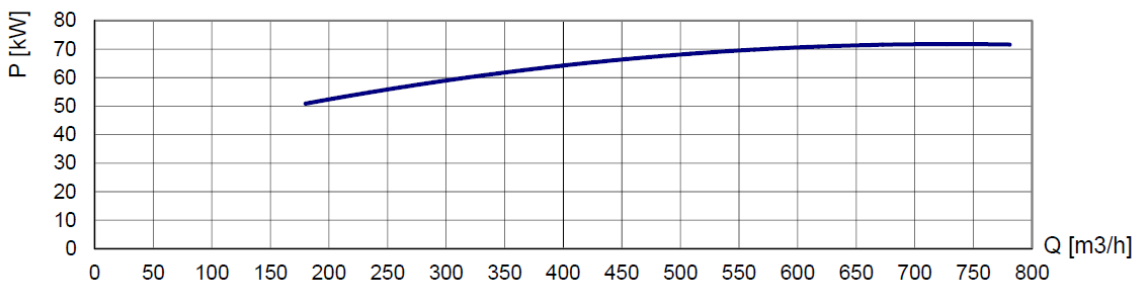
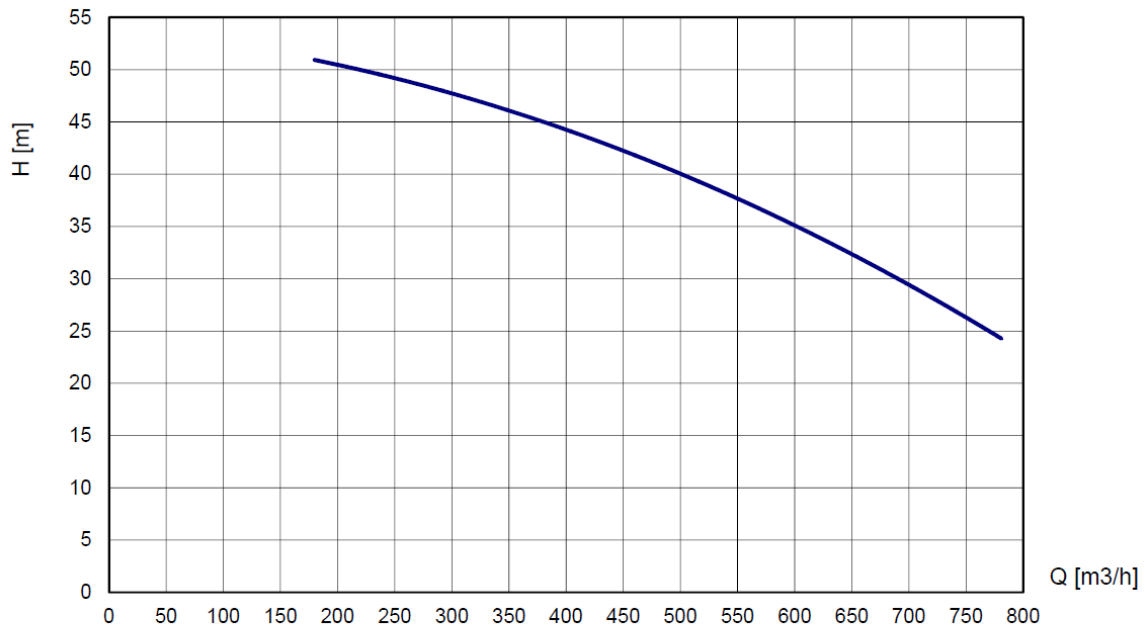
- Complete in-house design & production
- Over 60 years of experience in the market
- Complete testing facility in-house
- Contemporary & functional design
- Durable & eco-friendly materials
- Custom builds available

After sales service & product support

- Single supplier for parts, spares & accessories
- Dedicated customer help-desk (24h service)
- Dedicated service department in-house
- Global parts distribution network
- Optional global on-site servicing available
- Extensive training options available (technical & commercial), on-site or in-house

PERFORMANCE CURVES (1800-1900 RPM)

Continuous duty according ISO 9906



STANDARD TECHNICAL SPECIFICATIONS

BBA auto prime pump

Pump type.....	BA180E D328
Max. flow.....	780 m ³ /hour (3430 US GPM)
Max. head.....	50 mwc (165 feet)
Impeller type.....	Semi-open impeller
Solids handling.....	80 mm (3,15 inch)
Pump casing.....	Cast iron GG20
Impeller.....	Chrome Moly 42CrM04
Self-cleaning wear plate.....	Chrome Moly 42CrM04 (cutter slots)
Pump shaft.....	C45
Shaft seal.....	Mechanical seal
Seal faces.....	Tung/Sic
Seal rubbers.....	Viton



BBA priming system

Pump type.....	BBA MP50 Diaphragm pump
Air handling capacity.....	50 m ³ /h (30 CFM)
Max. vacuum.....	8.5 m (29 inHg)
Drive.....	Toothed belt (continuous drive)
Float box.....	Aluminium
Non return valve.....	Cast iron GG25
Check valve disc.....	Buna-N



Engine

Engine brand.....	Perkins
Engine type.....	1104D-44TA
Gross power.....	80 kW (108 Hp)
Max. engine speed.....	1800-1900 RPM
Fuel consumption.....	230 g/kWh
Displacement.....	4.4 l
Number of cylinders.....	4
Cooling system.....	Water cooled
Emission level.....	Stage IIIA

BBA dashboard LC20

- Auto start/stop system
- Two float switches included (10m cable)
- Switch Manual-0-Auto
- Tachometer
- Hour counter
- Warning lights "oil and engine temperature"
- Warning light "auto stand-by"



Fuel system

- Steel fuel tank 100 L. net (26 US Gallon)
- Fuel tank cap Ø 100 mm
- Mechanical fuel injection system
- Fitted with water separator & extra in-line fuel filter

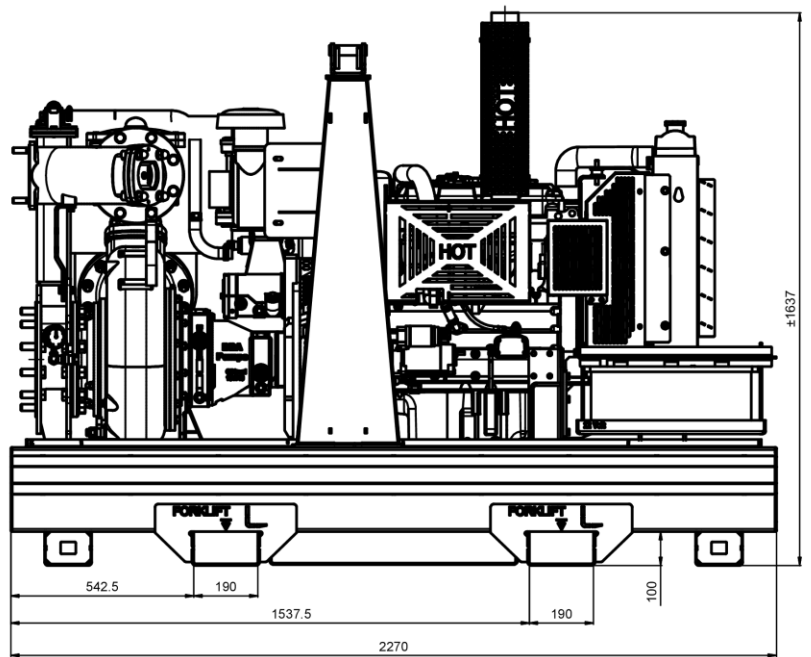
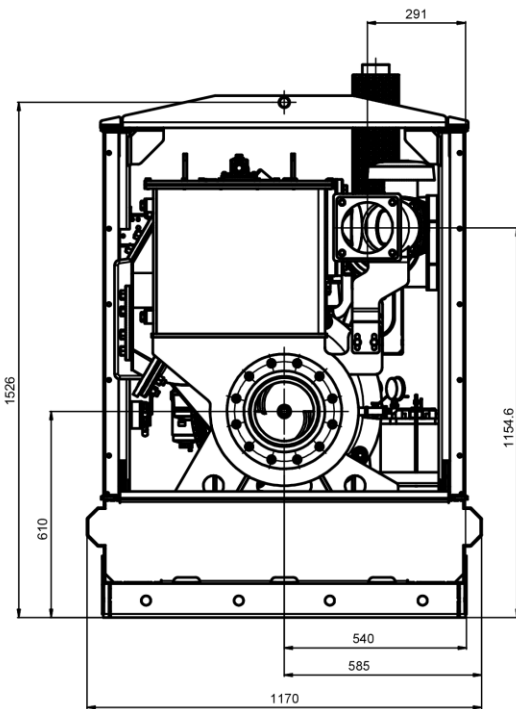
Electrical system & safety features

- Nominal voltage 12 Volt
- Premium quality battery
- Low oil pressure shut down
- High temperature shut down

BASIC FRAME

BBA open diesel unit

- Frame model.....BS12-23
- Dimensions L x W x HApprox. 2270 x 1170 x 1640 mm (without connections)
- Dimensions L x W x HApprox. 89.4 x 46 x 64.5 inch (without connections)
- Basic frameHot dip galvanized
- Fuel tankSteel net 100 ltr (26 US Gallon)
- Fuel tank cap100 mm (4 inch)
- Lifting pointFitted with single lifting point
- Forklift pockets.....Fitted with 2 forklift pockets
- Exhaust systemExhaust is mounted on the engine
- Connections.....Please consult "auxiliary items"
- Documentation box.....BBA user manual and BBA warranty book



Actual dimensions (in mm) may vary depending on selected quick couplings.



Semi-open impeller
Corrosion and abrasion resistant Chrome Moly (42CrM04) alloy.



Priming system
Diaphragm pump, air-cooled, water-resistant and oil-spillage free. Air capacity of 50 m³ per hour.



Easy inspection
Oil glasses, drain valves and fill plugs all easily accessible.



Large inspection covers
Easy access to float box, impeller and non-return valve.




4 Year limited warranty
The BBA limited warranty covers years or operating hours whichever occurs first. For more details please consult the BBA warranty book.




User Manual
Extensive user manual with important information concerning the pump unit, pump installation and safety warnings. Available in several languages.


AUXILIARY ITEMS
Discharge connections

Art.nr.		Ø inch	Ø mm	Connection	
1516604209	30° flange DIN	8	200	Flange	
5080899	30° flange ANSI	8	200	Flange	
5080813	30° female (cup)	8	200	System B	
5080909	30° male (ball/lever)	8	200	System B	
5080895	30° male (ball/ring)	8	200	System IT	
5080898	30° female (cup/lever)	8	200	System IT	


Suction connections

Art.nr.		Ø inch	Ø mm	Connection	
17160297	0° flange K295 x K350	8-10	200-250	DIN Flange	
3611467	0° female (cup)	8	200	System B	
3811501	0° male (ball/ring)	8	200	System IT	
3811511	0° female (cup/lever)	8	200	System IT	
3111232	0° male (ball/ring)	10	250	System IT	
3111228	0° female (cup/lever)	10	250	System IT	

Suction hose with strainer L=5 metre

Art.nr.	Ø inch	Ø mm	Connection	
7047042	8	200	System IT female (cup/lever)	
7047057	8	200	Flange K295	
7047062	10	250	Flange K350	

Suction hose with strainer L=6 metre

Art.nr.	Ø inch	Ø mm	Connection	
7047043	8	200	System IT female (cup/lever)	
7047058	8	200	Flange K295	
7047063	10	250	Flange K350	

Recommended suction pipe ID vs flow rates by pipe dimension (maximum velocity = 4 m/sec)

M3/H	US gallons	FLOW (L/sec)	4" 100	5" 125	6" 150	8" 200	10" 250	12" 300
360	1585	100	12.73	8.15	5.66	3.18	2.04	1.41
403.2	1775	112	14.26	9.13	6.34	3.57	2.28	1.58
432	1902	120	15.28	9.78	6.79	3.82	2.44	1.70
468	2060	130	16.55	10.59	7.36	4.14	2.65	1.84
504	2219	140	17.83	11.41	7.92	4.46	2.85	1.98
540	2337	150	19.10	12.22	8.49	4.77	3.06	2.12
612	2694	170	21.65	13.85	9.62	5.41	3.46	2.41
648	2853	180	22.92	14.67	10.19	5.73	3.67	2.55
684	3011	190	24.19	15.48	10.75	6.05	3.87	2.69
720	3170	200	25.46	16.30	11.32	6.37	4.07	2.83

 Myynti: Aquator Oy
 puh. 044 788 1620
 puh. 044 088 1620
 info@aquator.fi

