

po-Söffel 0

Fields of application:

The waste water pump **po-Söffel 0** is a submersible centrifugal pump for delivery of clean or dirty water with solid admixtures up to a particle size of 7 mm.

Technical data:

Delivery rate range	450 - 0 m ³ /h
Delivery head range	0 - 24 m
Medium temperature	max. 40 °C, for a short time 60 °C
Immersion depth	max. 20 m
Density	1100 kg/m ³
pH-value	4-8
Current type	three-phase-AC
Nominal voltage	400 V / 690 V / 500 V 3~ 50 Hz

Nominal current	30 A / 17 A / 25 A
Motor nominal power	15 kW
Nominal speed	1460 1/min

Weight	190 kg without cable
Degree of protection	DIN IP68
Thread connection	R 6" external thread R 4", R 8" BSP 4", BSP 6", BSP 8", NPT 4", NPT 6", NPT 8"
Coupling	Storz A, Storz F
Hose connection	ø150 mm

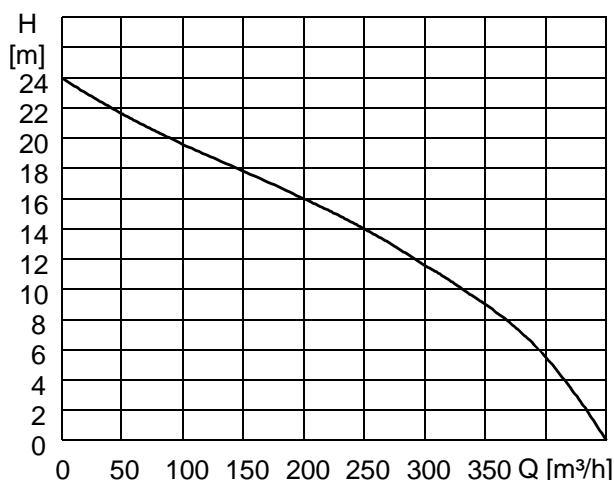
Material specification:

Casing	Aluminium alloy	3.2381
Impeller	Stainless steel	1.4027
Diffuser	Stainless steel	1.4027
Shaft	Stainless steel	1.4313
Suction bracket	Rubber	NBR
Inlet strainer	Aluminium alloy	3.2381
Shaft sealing	Dual mechanical seal	

Electrical connection:

- 20 m rubber-jacket cable
- alternatively with motor protection connector plug or with motor protection connector plug and float switch

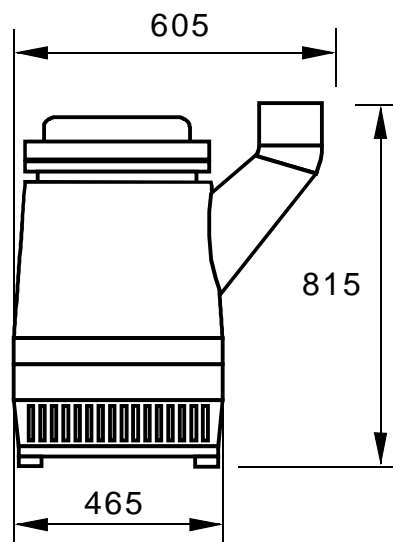
Characteristic curve:



Delivery data:

Q [m ³ /h]	0	146	235	290	347	395	432	450
Q [l/s]	0	41	65	81	96	110	120	125
H [m]	24	18	15	12	9	6	3	0

Main dimensions:



special design on request

Subject to alterations