

### po-Söffel A

#### Fields of application:

The waste water pump **po-Söffel A** is a submersible centrifugal pump for delivery of clean or dirty water with solid admixtures up to a particle size of 7 mm.

#### Technical data:

Delivery rate range	170 - 0 m <sup>3</sup> /h
Delivery head range	0 - 37 m
Medium temperature	max. 40 °C, for a short time 60 °C
Immersion depth	max. 20 m
Density	1100 kg/m <sup>3</sup>
pH-value	4-8
Current type	three-phase-AC
Nominal voltage	400V / 500V / 690V 3~, 50 Hz
Nominal current	19A / 14A / 11A
Motor nominal power	7.5 kW
Nominal speed	2850 1/min

Weight	87 kg without cable
Degree of protection	DIN IP68
Thread connection	R 4 ½" external thread R 3", R 4", R 6" BSP 2 ½", BSP 3", BSP 4", BSP 6" NPT 3", NPT 4", NPT 6"
Coupling	Storz A, Storz B, Storz F
Hose connection	ø110 mm

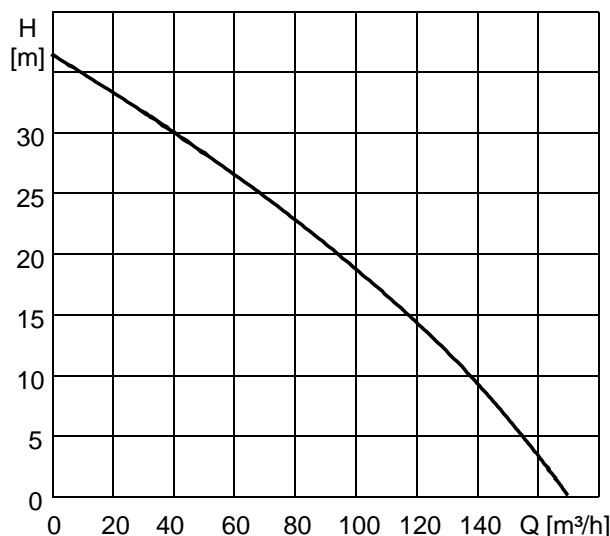
#### Material specification:

Casing	Aluminium alloy	3.2381
Impeller	Stainless steel	1.4027
Diffuser	Stainless steel	1.4027
Shaft	Stainless steel	1.4313
Suction bracket	Rubber	NBR
Inlet strainer	Aluminium alloy	3.2381
Shaft sealing	Dual mechanical seal	

#### Electrical connection:

- 20 m rubber-jacket cable with phase reversing connector plug
- alternatively with motor protection connector plug or with motor protection connector plug and float switch

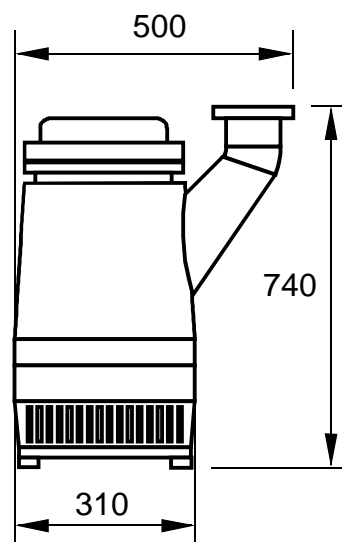
#### Characteristic curve:



#### Delivery data:

Q [m <sup>3</sup> /h]	0	40	67	95	115	136	155	170
Q [l/s]	0	11	19	26	32	38	43	47
H [m]	37	30	25	20	15	10	5	0

#### Main dimensions:



special design on request

Subject to alterations