

## Drainage pumps SÖFFEL\* C

### Design

The **oddesse** drainage pumps SÖFFEL\* C are single stage centrifugal pumps with open multi blade impeller. They can be used for vertical, horizontal or inlined installation.

The double casing made of aluminum alloy (AlSi10Mg-T5) guarantees the best cooling of the motor by circulating the pumped fluid. The pump can be used for continuous working-, sipping suction and emerging operation. The water- and oil-side mechanical seals are made of silicon carbide and guarantee a safety sealing of the motor and work independent of direction of rotation.

The impeller (made of stainless steel 1.4470) and the wear resistant diffuser guarantee a long life cycle. The anti-friction bearings are life time grease lubricated. They assure a vibration-free operation.

The motors are designed as three phase AC motors equipped with a thermal winding protection.

### Fields of application

The drainage pumps SÖFFEL\* C are used for the delivery of clean or dirty water with solid admixtures up to a particle size of 10 mm, a pH-value from 4 up to 8 and a medium temperature during continuous operation of up to 40 °C, for a short time up to 60 °C.

- water supply in construction industry and in mining
- watering and draining in communities, gardens and domestic sectors
- used in disastered areas and by fire brigades
- water supply in industry and agriculture
- fountains

### Material specification

Components	Design	
Casing	Aluminium alloy	AlSi10Mg-T5
Stator sleeve	Stainless steel	1.4301
Inlet strainer	Stainless steel	1.4301
Impeller	Stainless steel	1.4470
Diffuser	Aluminium rubberised	AlSi10Mg-T5/NBR
Shaft	Stainless steel	1.4404
Shaft sealing	Double mechanical seal	SiC/SiC
Fasteners	Stainless steel	1.4301

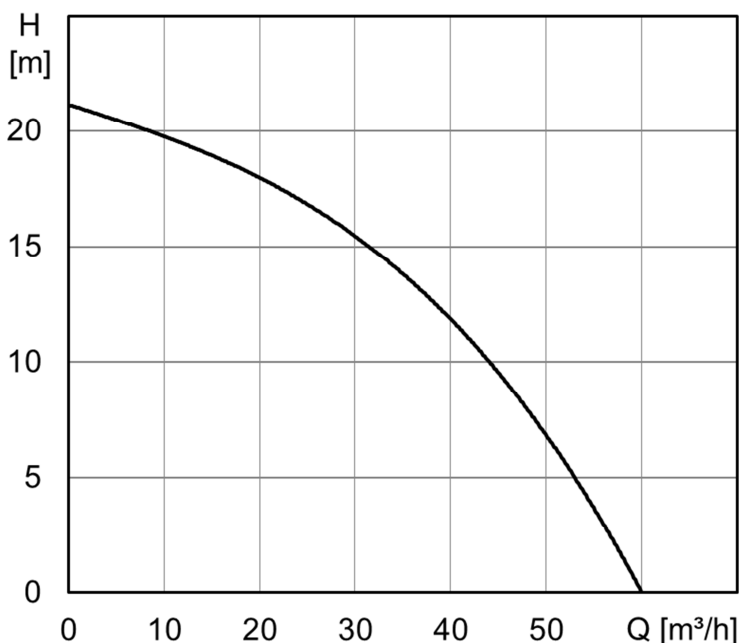
### Electrical connection

- 23 m rubber-jacket cable
- alternatively with phase reversing connector,
- with motor protection connector plug or
- with motor protection connector plug and float switch

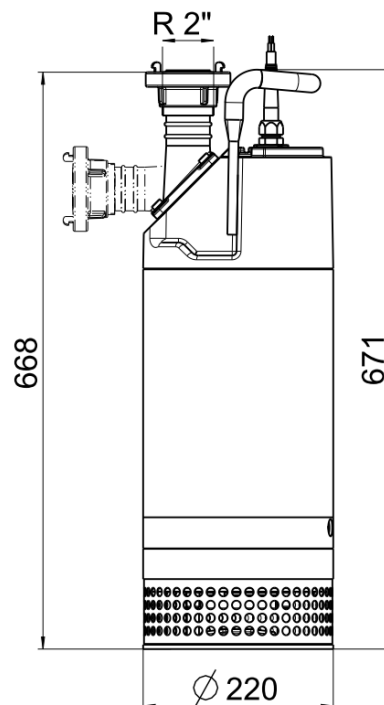
**Technical data SÖFFEL\* C60**

- Delivery rate range 60 - 0 m<sup>3</sup>/h
- Delivery head range 0 - 21 m
- Medium temperature max. 40 °C, for a short time 60 °C
- Immersion depth max. 20 m
- Density max. 1100 kg/m<sup>3</sup>
- pH-value 4 - 8
- Nominal voltage 400 V 3~, 50 Hz
- Nominal current 5.1 A
- Nominal speed 2900 1/min
- Power P1 / P2 3.05 kW / 2.5 kW
- Degree of protection DIN IP68
- Weight 35 kg (without cable)
- Thread connection R 2" external thread
- Coupling Storz C
- Hose connection Ø 2"

**Characteristic curve SÖFFEL\* C60**



**Dimensions SÖFFEL\* C60**



Q [m <sup>3</sup> /h]	0	10	20	30	40	50	55	60
Q [l/s]	0	2.8	5.6	8.3	11.1	13.9	15.3	16.7
H [m]	21	19.8	18.0	15.4	11.9	6.8	3.7	0