

# PRORIL

50 Hz

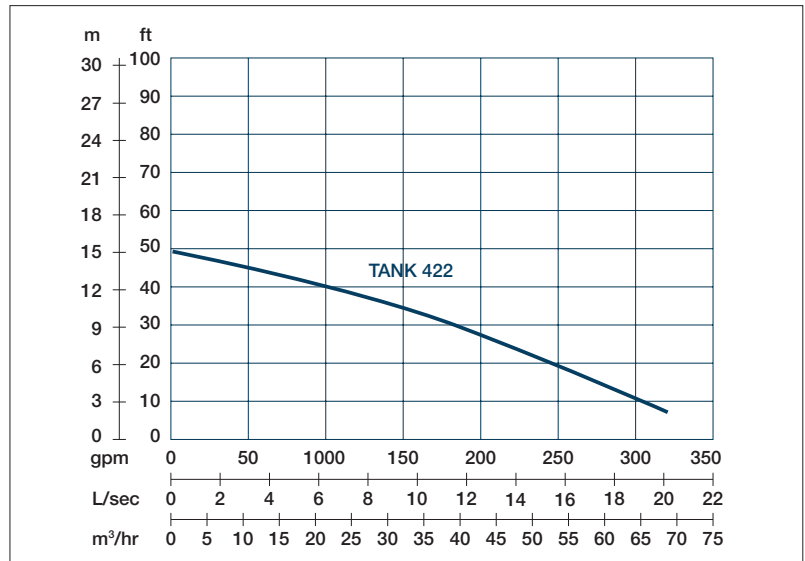
Designed for continuous operations, excellent performance and easy maintenance, PRORIL Tank series pumps have proven their reliability and durability in demanding areas like construction, mining, tunneling, quarries, industries and rental applications.

**Dewatering Pump**

## TANK 422

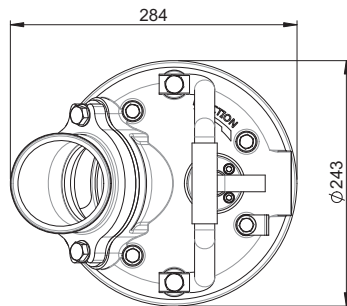
High Chrome Dewatering Pump



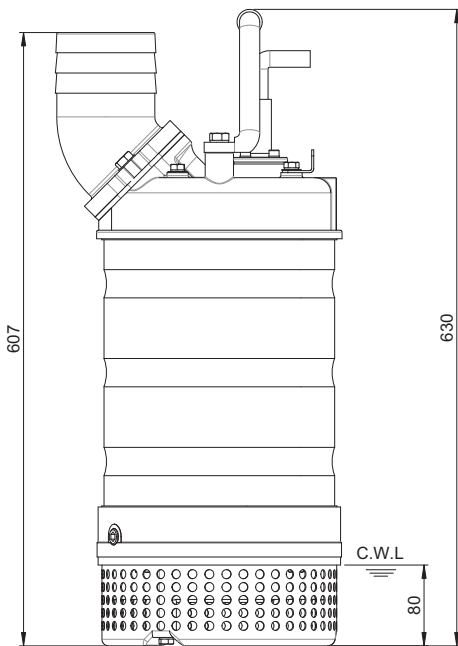


Shaft Speed : 2850 rpm

Outlet : 100mm, 4in



OUTPUT	HEAD	FLOW
2.2 kW	Rated : 10m, 33ft	Rated : 10 l/s, 159 gpm
3 HP	Max : 15m, 49ft	Max : 20 l/s, 317 gpm



Weight : 43kg / 95 lbs

Pump Type	Electric Submersible Pumps	
	3-Phase	
Motor	Type	Induction Motor
	Poles	2 Pole
	Insulation	Class F
	Protector	Circle Thermal Protector
	Starter	D.O.L.
Lubricant	Food Grade (ISO VG32)	
Impeller Type	Opened	
Shaft Seal	Double Mechanical Seal	
	Silicon Carbide VS Ceramic / Carbon	
Bearings	C3 Shielded ball bearings	
Cable	H07BQF	
	Length: 20m (66ft) or longer upon request.	
Materials	Pump Casing	Gray Iron
	Impeller	Chromium Iron
	Motor Frame	Stainless Steel
	Motor Shaft	Stainless Steel
	Strainer	Stainless Steel
Max. Liquid Temperature	104°F (40°C)	
Max. Submersion Depth	66ft (20m)	
pH Range	pH 5 - pH 8	

Myynti: Aquator Oy  
 puh. 044 788 1620  
 puh. 044 088 1620  
 info@aquator.fi