

# PRORIL

50 Hz

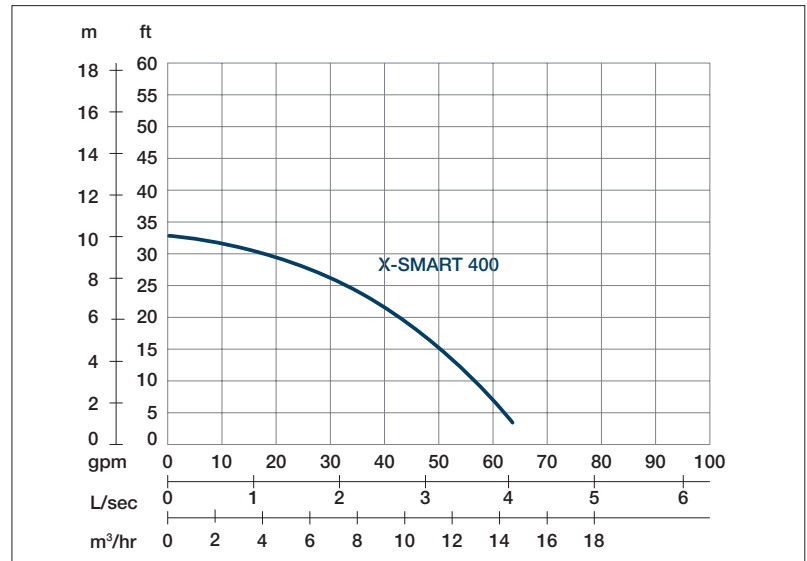
X-SMART Series, all components in contact with liquid of the stainless steel dewatering pumps are made of 304 stainless steel. These pumps are designed for handling clean water or screened wastewater. With the use of the food-graded lubricant, they are also applicable to the aquaculture industry.

**Stainless Steel Pump**

## **X-SMART 400**

Dewatering Pump

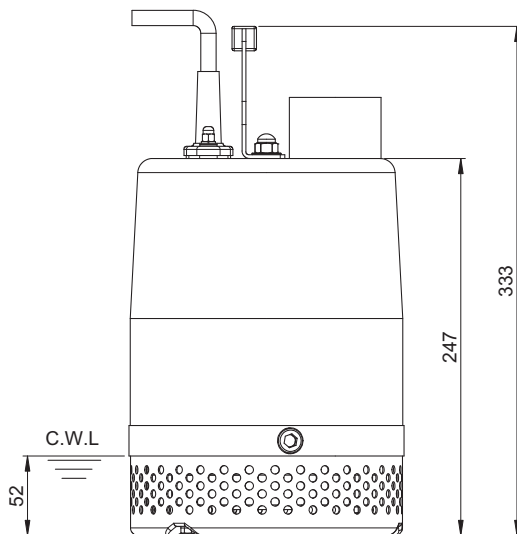
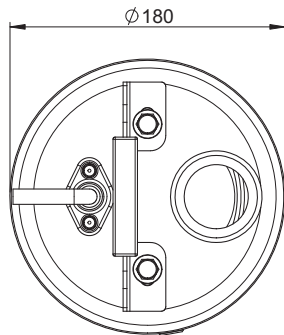




Shaft Speed : 2850 rpm

Outlet : 50mm, 2in

| OUTPUT | HEAD             | FLOW                  |
|--------|------------------|-----------------------|
| 0.4 kW | Rated : 7m, 23ft | Rated : 2 l/s, 37 gpm |
| 0.5 HP | Max : 10m, 33ft  | Max : 4 l/s, 63 gpm   |



Weight : 13kg / 29lbs

|                         |             |  |
|-------------------------|-------------|--|
| Pump Type               |             | Electric Submersible Pumps                 |
|                         |             | 1-Phase, 3-Phase                           |
| Motor                   | Type        | Induction Motor                            |
|                         | Poles       | 2 Pole                                     |
|                         | Insulation  | Class F                                    |
|                         | Protector   | Circle Thermal Protector                   |
|                         | Starter     | 1-Phase • Capacitor-Run, 3-Phase • D.O.L.  |
| Lubricant               |             | Food Grade (ISO VG32)                      |
| Impeller Type           |             | Opened                                     |
| Shaft Seal              |             | Double Mechanical Seal                     |
|                         |             | Silicon Carbide VS Ceramic / Carbon        |
| Bearings                |             | C3 Shielded ball bearings                  |
| Cable                   |             | H07RNF                                     |
|                         |             | Length: 10m (33ft) or longer upon request. |
| Materials               | Pump Casing | Stainless Steel                            |
|                         | Impeller    | Stainless Steel                            |
|                         | Motor Frame | Stainless Steel                            |
|                         | Motor Shaft | Stainless Steel                            |
|                         | Strainer    | Stainless Steel                            |
| Max. Liquid Temperature |             | 104°F (40°C)                               |
| Max. Submersion Depth   |             | 66ft (20m)                                 |
| pH Range                |             | pH 5 - pH 8                                |

Myynti: Aquator Oy  
 puh. 044 788 1620  
 puh. 044 088 1620  
 info@aquator.fi